

1 GENERAL

These operating instructions must be observed before installing and operating.

It is also essential to observe the operating and repair instructions for the machines and systems in which the connectors are installed. When performing work make sure to wear your personal protective equipment!

2 PRODUCT DESCRIPTION

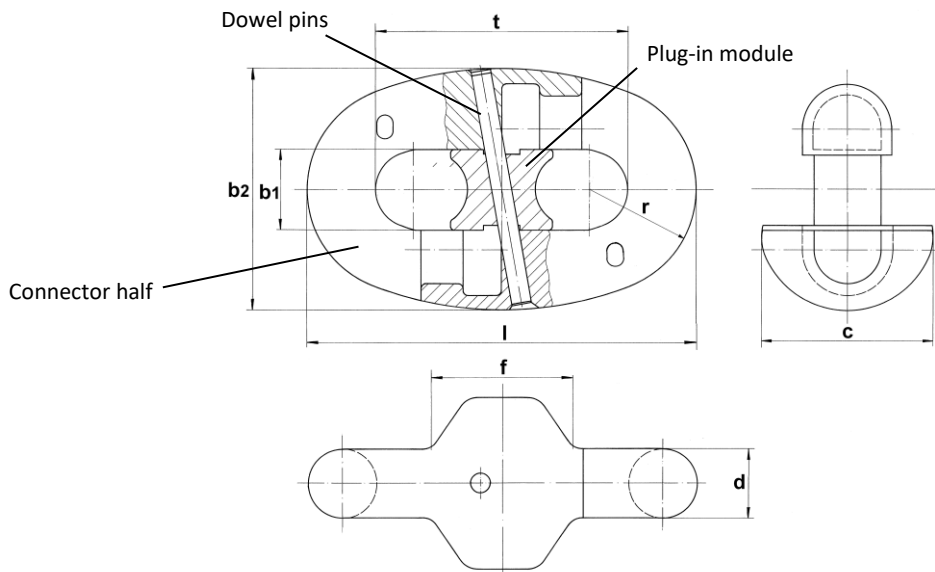
Single Plane Connectors are intended to connect single chain strands of mining conveyor chains at their end links.

The connectors consist of two symmetrical forged halves which are locked against unintended opening by a plug-in module. The plug-in module is secured by two dowel pins assembled into each other.

The halves are manufactured as a tuned couple and should be used together. For a simple identification each pair is marked by a number.

Single Plane Connectors must drive in a horizontal orientation around chain wheels.

3 TECHNICAL DATA



Connector size d x t [mm]	Article-no.	Dimensions						Work force WF _{max} [kN]	Breaking force BF _{min} [kN]	Mass [kg]
		b _{1 min} [mm]	b _{2 max} [mm]	c [mm]	f _{max} [mm]	l _{max} [mm]	r [mm]			
22 x 86	F26100	24	84	55	53	132	34	380	608	1,5
26 x 92	F26130	28	96	65	62	146	40	531	850	2,8
30 x 108	F26140	32	109	75	72	170	46	707	1 130	3,5
34 x 126	F26150	37	122	85	82	196	52	907	1 450	5,6
38 x 126	F26163	45	134	95	75	204	58	1 130	1 820	6,9
38 x 137	F26160	40	134	95	92	215	58	1 130	1 820	7,3
38 x 146	F26165	40	134	95	80	226	58	1 130	1 820	7,3

The mechanical properties are at least the equivalent of DIN 22258 Part 2.

4 ASSEMBLY AND DISASSEMBLY

4.1 Preparations

- Check the Single Plane Connector for completeness and identical marking.
- Check the chain wheels are able to meet the thicker connector legs.
- Shut down the conveyor and take appropriate measures to rule out it can start inadvertently.
- If necessary remove the plug-in module and open the halves of the new connector.

4.2 Assembly

- Position the two connector halves and the chain ends to be connected as shown in Figure 1.
- Then push the two halves against each other as far as they will go. Make sure no foreign bodies/material are in the way when bringing the connector halves together.

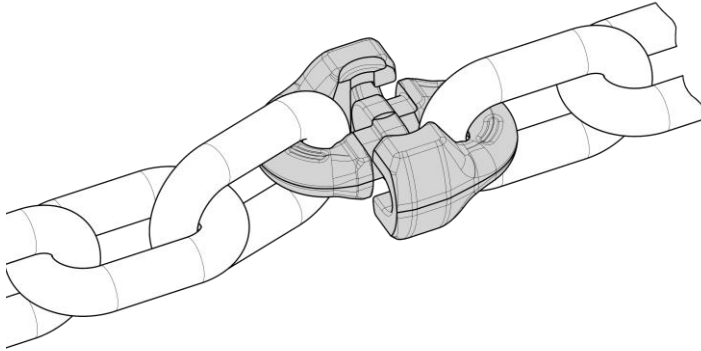


Figure 1



Figure 2

- Move the plug-in module from one side into the center of the connector. Take care that the hole in the plug-in module is in line with the holes in the connector halves (Figure 2).
- Now push-in the thicker dowel pin.
- Then push-in the second smaller dowel pin into the thicker one. Take care that the slots are not in line and both dowel pins do not overlap (Figure 3).

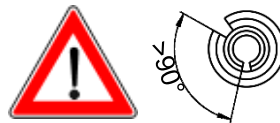


Figure 3

Now clear away tools and other interfering materials from the conveyor before putting it into operation again.

4.3 Disassembly

- Shut down the conveyor and take appropriate measures to rule out it can start inadvertently.
- Slacken the chain to be worked on.
- Use a suitable ejector drift to remove the dowel pins.
- Remove the plug-in module to one side by a hammer.
- Use a hammer to separate the lock halves.

5 INSPECTIONS AND MAINTENANCE

Check Single Plane Connectors at regular intervals, at least once a month.

In the event of major damage (notches, cracks, corrosion) or if pitch elongation of more than 3 % is encountered replace the chain connectors.

Make sure to exclusively use original THIELE spare parts.

6 SPARE PARTS

The dowel pins must only be used once.

Article Numbers of dowel pins:

Connector size [mm]	Thicker dowel pin		Smaller dowel pin	
	Size [mm]	Article-no.	Size [mm]	Article-no.
22 x 86	8 x 80	Z00289	5 x 80	Z00290
26 x 92	10 x 90	Z00291	6 x 90	Z00292
30 x 108	10 x 100	Z00293	6 x 100	Z00294
34 x 126	10 x 115	Z00295	6 x 100	Z00294
38 x 126	10 x 120	Z00297	6 x 100	Z00294
38 x 137	10 x 120	Z00297	6 x 110	Z00296
38 x 146	10 x 120	Z00297	6 x 120	Z00298

Ejector drifts for the dowel pins are available by article-no. F92201.

7 THIELE OPERATING AND MOUNTING INSTRUCTIONS

Current operating and installation instructions are available as a PDF download on the homepage.



8 IMPRINT

THIELE GmbH & Co. KG
Werkstrasse 3
58640 Iserlohn, Germany
Tel.: +49 (0)2371 / 947 - 0